

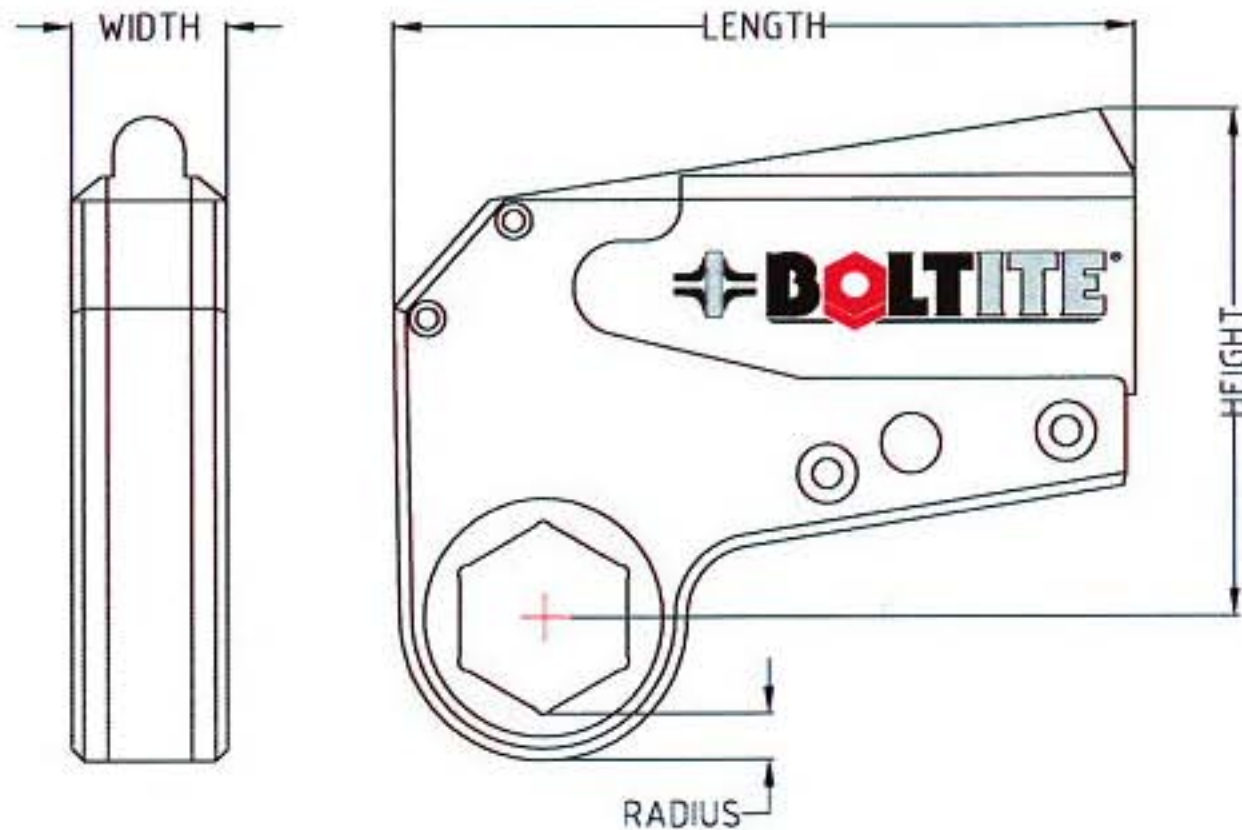


Torque Wrench

TX SERIES SPECIFICATION (Low Profile)

Technical

Model Number	TX-2	TX-4	TX-8	TX-16	TX-32
Tool Hex from to	3/4" / 19mm 2-3/8" / 60mm	1" / 25mm 3-1/8" / 80mm	1-7/8" / 50mm 4" / 105mm	2-5/8" / 65mm 4-5/8" / 115mm	3-1/8" / 80mm 6-1/8" / 155mm
Min. Torque (Ft/Lbs)	192	395	830	1,560	3,220
Max. Torque (Ft/Lbs)	1,928	3,950	8,630	16,600	35,650
Output Accuracy	+/- 3%	+/- 3%	+/- 3%	+/- 3%	+/- 3%
Repeatability	100%	100%	100%	100%	100%
Duty Cycle	100%	100%	100%	100%	100%
Corrosion Protection	Standard				
Cylinder Weight (Lbs)	3.50	6.00	11.70	16.00	26.00
Link Weight from to	2.40 3.50	5.40 7.60	11.90 14.50	21.00 28.00	29.00 39.50



Dimensions

Model Number	TX-2	TX-4	TX-8	TX-16	TX-32
Length	5.67	7.80	9.80	12.93	15.30
Height	4.00	5.60	7.00	7.58	10.90
Width	1.25	1.63	2.05	2.50	3.24
Radius	0.36	0.46	0.54	0.65	0.93

Note:

All Tool Weights Include Couplers, Swivels, Reaction Arm and Internal Oil.
 The Patented Peanut Shaped Cylinder Bore is Standard On TX-2, TX-4 and TX-8 Models.
 All Dimensions are in Inches.